

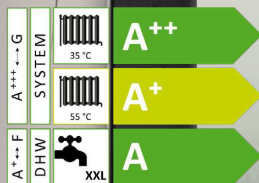
An eco-friendly and
secure investment!

ctc
HEAT PUMPS

CTC EcoZenith i555 Pro

An all-in-one tank with built-in, intelligent control.

9-27 kW



- Smart display
- Built-in intelligent control
- Flexible heating system
- 540 litres buffer volume
- Plenty of hot water
- Low ceiling height? No problem!

Find a CTC distributor in your country - www.ctc-heating.com



MADE IN SWEDEN

CTC EcoZenith i555 Pro

Pool? Solar heating? Or just teenagers?

Smart display

CTC EcoZenith i555 Pro has a 4.3 inch touch screen, and the user-friendly interface allows you to easily access all the features, just like on your smartphone. In addition, you can easily mirror the display on your tablet, mobile, etc. Most importantly, however, the language can be switched, and it also has clear symbols – making it easy to adjust the heating and hot water, as well as retrieve a wealth of operating data.

Built-in intelligent control

CTC EcoZenith i555 Pro can control all components in one or more heating systems: solar heating, pool heating, extra hot water and buffer tanks, electricity, wood, oil, gas and pellet boilers. It can even control many different types of heat pump and choose which one is to be used for optimal savings.

Flexible heating system

CTC EcoZenith i555 Pro has several connection points on the sides. This provides discreet and simple pipe installations along with possibilities to easily extend the system in the future. Add CTC heat pumps and you have unlimited possibilities to create a flexible heating system. If you want to utilise solar heating, CTC EcoZenith i555 Pro is equipped with solar control and a 10 metre-long solar coil.

Plenty of hot water

CTC EcoZenith i555 Pro provides plenty of hot water. At a flow rate of 22 litres per minute, the capacity is more than 600 litres of 40°C hot water.

Superior insulation

CTC EcoZenith i555 Pro has superior insulation with 90 mm-thick injection-moulded polyurethane. The insulation is supplied separately, which allows

CTC EcoZenith i555 Pro to fit through a standard door.

Low ceiling height? No problem

Since the CTC EcoZenith i555 Pro is only 1.7 metres high, it can easily be placed in areas with low ceilings.

Output up to 27 kW

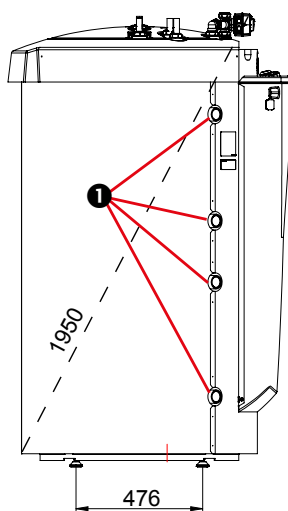
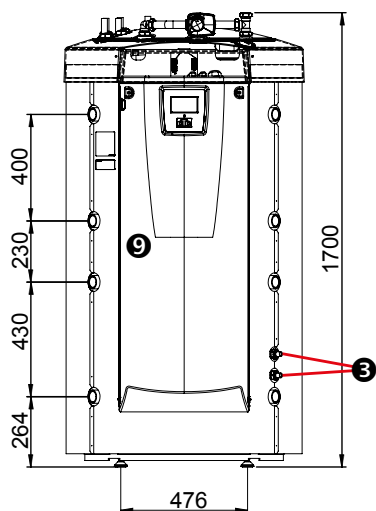
CTC EcoZenith i555 Pro 3x400V is equipped with two immersion heaters with a total of 18 kW. An additional immersion heater is available as an accessory to achieve a total output of 27 kW.

Smartgrid and ready for future challenges

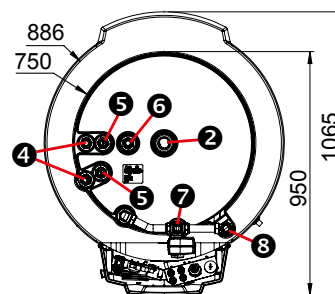
CTC EcoZenith i555 Pro has internet connectivity as standard so that you can easily control your product remotely using the myUplink app. It is also equipped to connect to Alexa, Google Home and the future power grid (SmartGrid).



Dimensions diagram



1. Heating connection, G 1 1/4" internal thread
2. Expansion vessel/Top connection/
Lifting sleeve, G 1 1/4" internal thread
3. Solar coil, Ø18 mm
4. Cold water, Ø22 mm
5. DHW, Ø22 mm
6. DHW circulation, Ø22 mm
7. Radiator primary flow, clamp ring 28 mm
8. Radiator return, clamp ring 28 mm
9. Connection electric (behind the front)

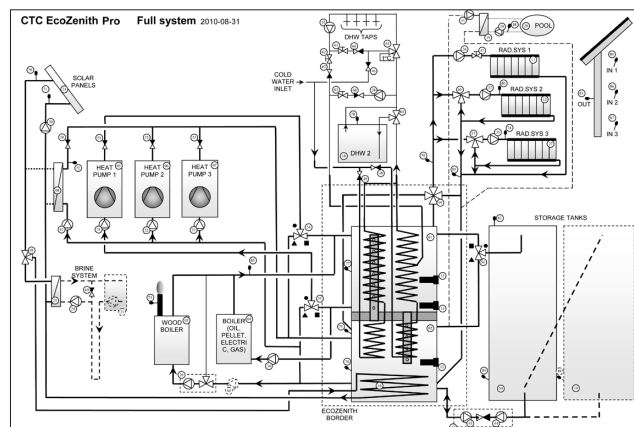


Delivery includes:

Indoor module with manual

Packaging includes:

Outdoor sensor, room sensor, return sensor, primary flow sensor, current sensor, draining kit and safety valves



| Technical data | | 400V 3N~ | 230V 1N~ | 230V 3~ |
|--|--------|-------------------------------------|-----------------------|---|
| CTC-no. | | 589600001 | 589600002 | 589600003 |
| Weight (packaged weight) | kg | 260 (295) | | |
| Dimensions (depth x width x height) | mm | 1067 x 886 x 1700 | | |
| Required ceiling height | mm | 1950 | | |
| Sound power L_{WA} B0/W35 (EN 12102) | dB(A) | 15 | | |
| Electrical data, connection | | 400V 3N~ 50Hz | 230V 1N~ 50 Hz | 230V 3~ 50Hz |
| Rated power / optional | kW | 18 / 27 | 9 / - | 14.10 / 21.15 |
| Rated current / optional | A | 26.1 / 39.1 | 40 / - | 35.39 / 53.09 |
| Recommended fuse / optional | A | 32 / 50 | 40 / - | 50 / 63 |
| Max. immersion heater output at group fuse: 20/25/32/35/50/63 A | kW | 11.1 / 16.2 / 20.1 / 22.2 / 27 / 27 | 4 / 5 / 7 / 8 / 9 / 9 | 7.05 / 9.4 / 11.75 / 11.75 / 18.8 / 21.15 |
| Ingress Protection class (IP) | | IP X1 | | |
| Output range immersion heater: upper tank / optional | kW | 0.3 - 9 / 0.3 - 9 | 3 - 9 / - | 2.35 - 7.05 / 2.35 - 7.05 |
| Output range immersion heater: lower tank | kW | 3 - 9 | - | 2.35 - 7.05 |
| Max. operating pressure: Heating system (PS) | bar | 2.5 | | |
| Max. operating pressure: DHW system | bar | 9 | | |
| Water volume - Heating system (V) | litres | 540 | | |
| Water volume - DHW system | litres | 11.4 | | |
| DHW performance V_{40} (EN 16147) | litres | > 600 | | |
| Package efficiency class: W35/55 (A+++ to G) ¹⁾ | | A++ / A+ | | |
| Energy efficiency class DHW (A+ to F) / charge profile (EN16147) ¹⁾ | | A / XXL | | |

¹⁾ CTC EcoZenith is only approved for installation together with heat pumps in accordance with the EU Ecodesign Directive. The data provided is applicable together with CTC EcoPart 430. Energy labels and data sheets can be downloaded from www.ctc.se/ecodesign



info@ctc.se
+46 372 88 000

P.O Box 309 SE-341 26 Ljungby Sweden



Compatible heat pumps

– refer to individual product sheets for more detailed information.



Smart accessories

– supplement and simplify.

| | | CTC no.: |
|---|--|-----------|
| CTC External Tank Charging Assembly | When installing one or more tanks | 589073301 |
| CTC Diverting Valve Assembly EZ500 | For connecting of one or more heat pumps | 589074301 |
| CTC Bivalent Diverting Valve 28 kW | For installation with heat extraction over 25 kW | 584072301 |
| CTC Extra Shunt group | Complete package for neat and easy installation of additional heating circuits | 587396301 |
| CTC Mixing Valve Group 2 | For installing an additional heating circuit | 586857001 |
| CTC EcoComfort | A passive cooling unit that uses the borehole's cool temperature. | 585920001 |
| CTC EcoVent 25 | Exhaust air unit - Adapted for placement above the heat pump | 589701001 |
| CTC DHW button | Activates the extra hot water function, wire-bound | 582515301 |
| CTC Charge Pump 25/6.0-130 | Additional circulation pump/radiator pump | 588892301 |
| CTC SmartControl Gateway | Base unit able to control up to seven optional units | 588300301 |
| CTC SmartControl Repeater | Amplifies the signal between the base unit and the different accessories | 588300302 |
| CTC SmartControl Room/Humidity/CO ₂ sensor | Wired sensor that can control ventilation on demand (Base unit required) | 588300303 |
| CTC SmartControl Room/Humidity Sensor | Solar powered and wireless with rechargeable battery (Base unit required) | 588305301 |
| CTC SmartControl Room Sensor | Solar powered and wireless with rechargeable battery (Base unit required) | 588306301 |
| CTC SmartControl Multi-button | Wireless 2 mode button (Base unit required) | 588307301 |
| CTC Solar Pump Station | Compact solar pump station for solar heating | 587700001 |
| CTC Start-kit EcoSol | Start kit for connecting CTC solar control with existing solar system | 587458301 |